

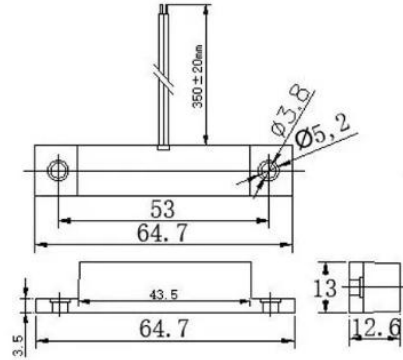
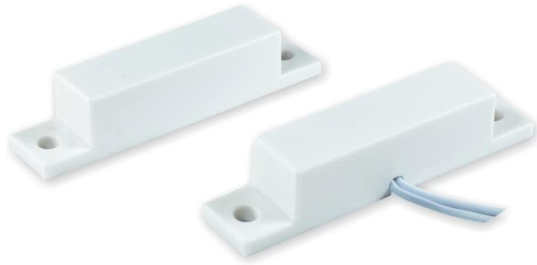


Part Number: GHT6413

Surface Mount Magnetic Switches - Normally Open Contacts

Product Data Sheet

PRODUCT	DIMENSIONS
---------	------------



Drawings not to scale. All dimensions in mm.

SPECIFICATION		
CONTACT FORM		Form A (Normally Open)
CONTACT MATERIAL		Rhodium
SWITCHING CAPACITY	Max.	10 WVA
SWITCHING VOLTAGE	Max.	200 VDC
SWITCHING CURRENT	Max.	0.5A
CARRYING CURRENT	Max.	0.1A
DIELECTRIC STRENGTH	Min.	150VDC
CONTACT RESISTANCE	Max.	150mΩ
INSULATION RESISTANCE	Min.	10 ⁹ Ω
SWITCHING TIME WITHOUT BOUNCE	Max.	1.4ms
BOUNCE TIME	Max.	1.0ms
RELEASE TIME	Max.	0.3ms
RESONANT FREQUENCY	Typ.	3900Hz
OPERATING FREQUENCY	Max.	500Hz
OPERATION TIME	Max.	1.0ms
VIBRATION	10-1000	20Hz
SHOCK		30G
CAPACITANCE	Typ.	0.5 pF
OPERATING TEMP. RANGE	Deg.	-40 +125 °C
SENSOR BODY MATERIAL		ABS

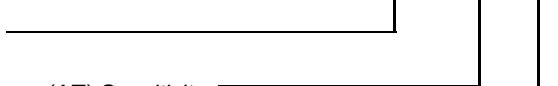

NOTE

- Mini Stick-on Surface Mount Contact Switch with side leads
- Adhesive & Screw Mounting
- 18" Long Side Wire Leads
- For specific applications, products can be developed on request.

Made in India

ORDERING INFO

PART NUMBER GHT6413 15 45

- Type 
- Minimum (AT) Sensitivity 
- Maximum (AT) Sensitivity 