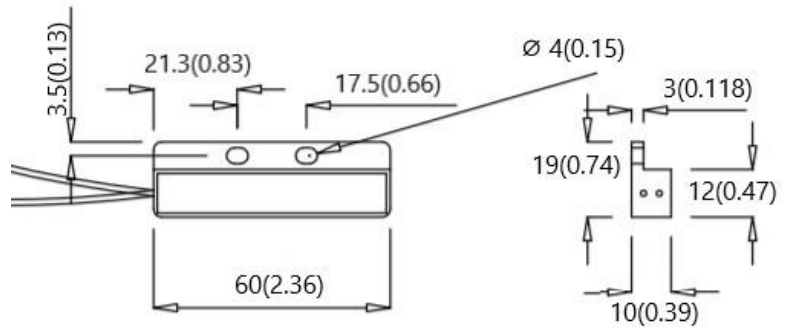
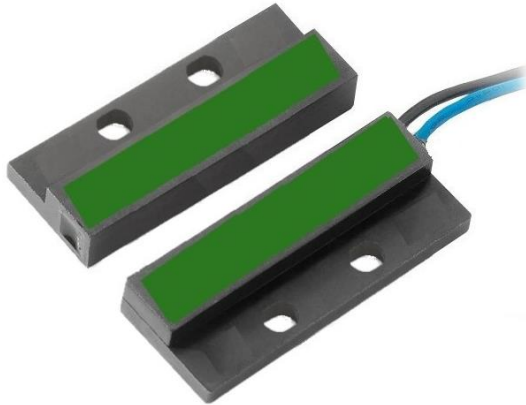




Part Number: GHT1960
Flange Mount Reed Switch - Normally Closed Contacts

Product Data Sheet

PRODUCT	DIMENSIONS
---------	------------



Drawings not to scale.
All dimensions in mm (inches).

SPECIFICATIONS

Contact Form		Form B (Normally closed)
Contact Material		Tungsten
Switching Voltage	Max.	24 V - 250 V DC/AC
Switching Current	Max.	1 A DC/AC
Contact Resistance	Max.	< 300 milli ohms
IR value between contacts		>1 G ohms 500V DC megger/min
Working distance		7mm ± 1.5 mm
AC withstand voltage		2500 V,50 Hz /min
Case material		Phenolic
Operate Temperature Range	Deg.	-40°C + 125°C

NOTE

- This, Reed switch is paired with magnet

Made in India