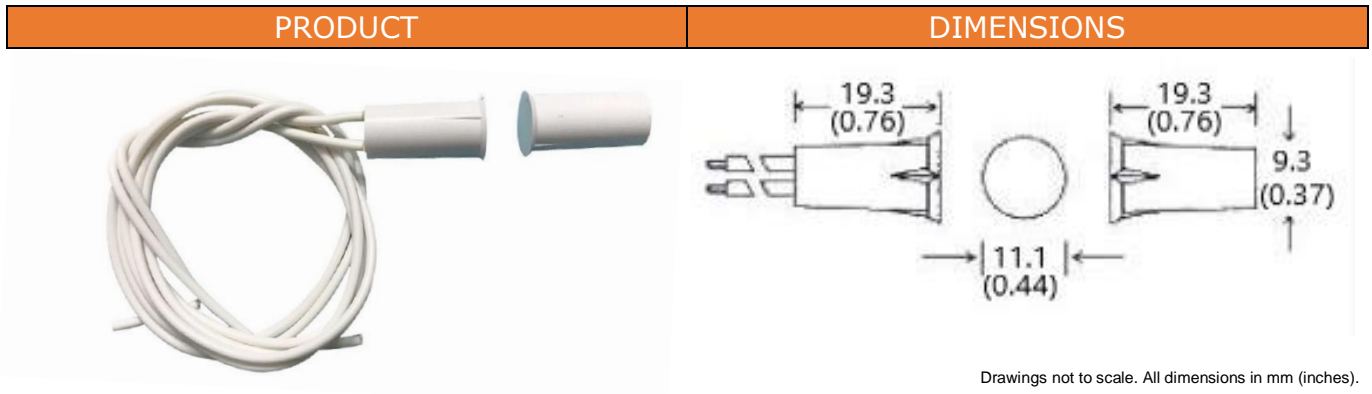




Part Number: GHT0921

Recessed Magnetic Door Sensors- Normally Closed Contacts

Product Data Sheet



Drawings not to scale. All dimensions in mm (inches).

SPECIFICATION		
CONTACT FORM		Form B
CONTACT MATERIAL		Rhodium
SWITCHING CAPACITY	Max.	10 W/VA
SWITCHING VOLTAGE	Max.	200 VDC
SWITCHING CURRENT	Max.	0.5A
CARRYING CURRENT	Max.	0.1A
DIELECTRIC STRENGTH	Min.	150VDC
CONTACT RESISTANCE	Max.	150mΩ
INSULATION RESISTANCE	Min.	10 ⁹ Ω
SWITCHING TIME WITHOUT BOUNCE	Max.	1.4ms
BOUNCE TIME	Max.	1.0ms
RELEASE TIME	Max.	0.3ms
RESONANT FREQUENCY	Typ.	3900Hz
OPERATING FREQUENCY	Max.	500Hz
OPERATION TIME	Max.	1.0ms
VIBRATION	10-1000	20Hz
SHOCK		30G
CAPACITANCE	Typ.	0.5 pF
OPERATING TEMP. RANGE	Deg.	-40 +125 °C
SENSOR BODY MATERIAL		ABS

NOTE

- For specific applications, products can be developed on request.

ORDERING INFO

PART NUMBER GHT0921 15 45

- Type _____
- Minimum (AT) Sensitivity _____
- Maximum (AT) Sensitivity _____

Made in India