

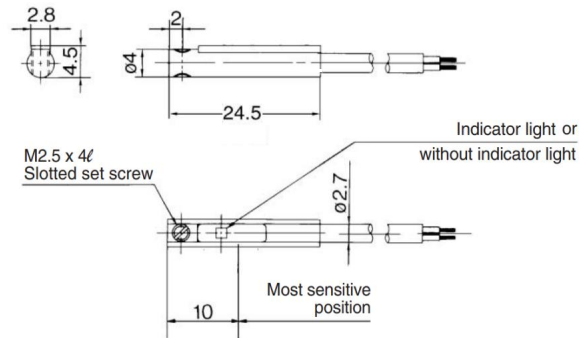


Part Number: GHTDA93

Reed Switches – Direct mounting switch

## Product Data Sheet

PRODUCT	DIMENSIONS
---------	------------



Drawings not to scale. All dimensions in mm.

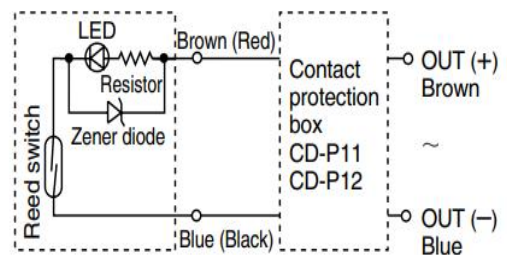
SPECIFICATION		
---------------	--	--

Auto switch model	D-A93	D-A93V
Applicable load	Relay, PLC	
Load voltage	24 VDC	100 VAC
Load current range and max. load current	5 to 40 mA	5 to 20 mA
Contact protection circuit	none	
Internal voltage drop	2.4 V or less (up to 20mA)/3V or less (up to 40mA)	2.7 V or less
Indicator light	Red LED lights when ON	
Weight of lead wire (length: 0.5 m)	6	6
Weight of lead wire (length : 3 m)	30	30

NOTE
------

**Lead wire**

- D-A93(V)-Oil resistant vinyl heavy-duty cord,  $\phi 2.7$ , 0.18 mm<sup>2</sup> x 2 cores (Brown, Blue), 0.5 m.
- Under 5 mA, the strength of the indicator light is poor. In some cases, visibility of the indicator light will not be possible where the output signal is less than 2.5 mA. However, there is no problem in terms of contact output, when an output signal exceeds 1 mA or more.



**Made in India**