

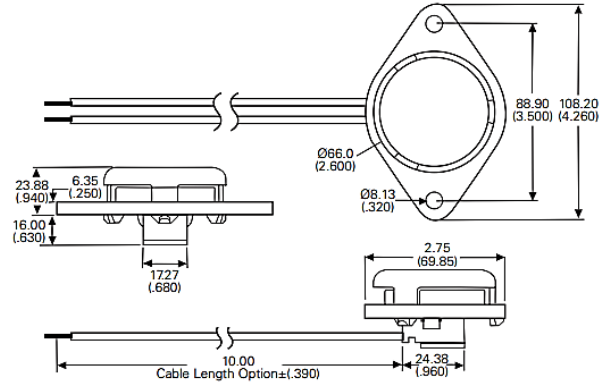
Part Number: GHT6910

Seating Occupancy Reed Switch Sensor – Normally Open Contacts

Product Data Sheet



PRODUCT	DIMENSIONS
---------	------------



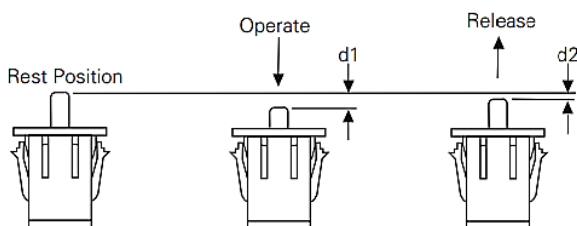
Drawings not to scale. All dimensions in mm (inches).

SPECIFICATION		
---------------	--	--

CONTACT FORM		Form A (Normally Open)
MATERIAL		Nylon
SWITCHING CAPACITY	Max.	10 W/VA
SWITCHING VOLTAGE	Max.	200 V ac/dc
SWITCHING CURRENT	Max.	0.5A
CARRYING CURRENT	Max.	0.5A
DIELECTRIC STRENGTH	Min.	150Vdc
CONTACT RESISTANCE	Max.	0.2m
INSULATION RESISTANCE	Min.	10 ¹⁰
PULL-IN SENSITIVITY		15 – 45AT
DROP-OUT SENSITIVITY	Min.	DO/PI 0.8AT
SWITCHING TIME WITHOUT BOUNCE	Max.	1.4ms
BOUNCE TIME	Max.	1.0ms
RELEASE TIME	Max.	1.0ms
RESONANT FREQUENCY	Typ.	3900Hz
OPERATING FREQUENCY	Max.	500Hz
VIBRATION	50-2000	30Hz
SHOCK		100G
CAPACITANCE	Typ.	0.2 pF
OPERATING TEMP. RANGE	Deg.	-40 +85 °C

NOTE

Operate Distance d1 5.5mm (0.217) max.
Release Distance d2 1.5mm (0.059) min.



ORDERING INFO

PART NUMBER GHT6910 15 45

- Type _____
- Minimum (AT) Sensitivity _____
- Maximum (AT) Sensitivity _____
- Wire length can be changed as per requirement.
- Cable – 2 wires (PVC) 14/ 0.15mm ABC flexible wire Black

Made in India

☎ : +91 44 29588068

☎ : +91 94441 07785

✉ glasshitech@gmail.com

🌐 www.glasshitech.com