
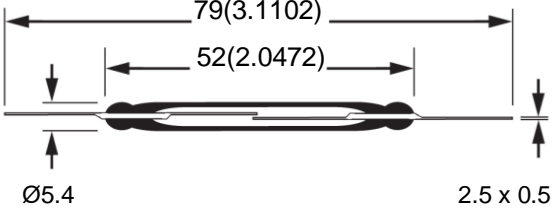




Part Number: GHT0525
 Reed Switch - Standard - Normally Open Contacts

Product Data Sheet

PRODUCT	DIMENSIONS
	
<small>Drawings not to scale. All dimensions in mm (inches).</small>	<small>(Ø0.2126) (0.0984 x 0.0197)</small>

SPECIFICATIONS

Contact Form		Form A (Normally Open)
Contact Material		Rhodium
Switching Capacity	Max.	80 W/VA
Switching Voltage	Max.	250 VAC / DC
Switching Current	Max.	1.3 A
Carrying Current	Max.	2.0 A
Dielectric Strength	Min.	800 VDC
Contact Resistance	Max.	100 mΩ
Insulation Resistance	Min.	1011 Ω
Pull - In Sensitivity		30 - 130 AT
Drop - Out Sensitivity	Min.	25 AT
Operate Time Without Bounce	Max.	3.5 ms
Bounce Time	Max.	0.5 ms
Release Time	Max.	0.20 ms
Resonant Frequency	Typ.	900 Hz
Operating Frequency	Max.	100 Hz
Vibration (10-1000Hz)		35 g
Shock (11 ms)		50 g
Capacitance	Typ.	0.8 pF
Operate Temperature Range	Deg.	-40°C + 125°C
Test Coil	Type	1500

NOTE

- When cutting or bending switch leads it is important that the glass seal is not damaged. The cutting or bending point should be no closer than 3mm (0.118in.) to the glass to metal seal and the lead should be supported between the cutting or bending point and the glass to metal seal.
- We offer a crop and form service for Reed Switches to be customized to your specification.

ORDERING INFO

PART NUMBER GHT0525 30 130

- Type
- Minimum (AT) Sensitivity
- Maximum (AT) Sensitivity

Made in India